

## TRANSMITTER

# TR-A/V/VMT

### FUNCTION

The TR-A/V/VMT transmitter connected to a dedicated transducer (accelerometer, velocimeter or velomitor) measures absolute vibration of any machine support and is capable of directly interfacing with an acquisition system (PLC or DCS) in 2-wire (4-20 mA current loop) or 3-wire technique.

### GENERAL DESCRIPTION

The TR-A/V/VMT transmitter processes the signal coming from the transducer connected to it and converts it into a proportional analogue signal at the measured magnitude.

It can be installed in a secure area and connected by means of certified barriers to intrinsic safety transducers positioned in a classified area.

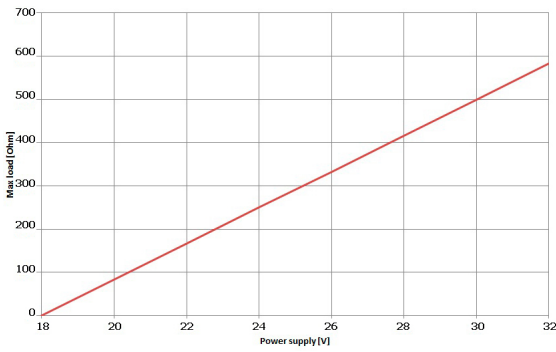
It comes complete with terminal strips for connection to a power supply, input and output signals and a BNC for connection to an analyser.. Transmitter with provision for fastening to a DIN guide.



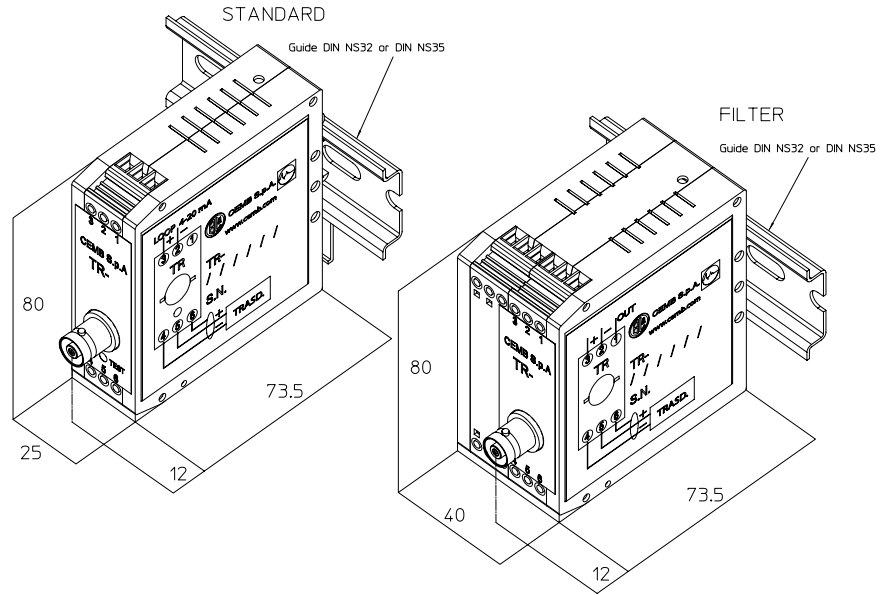
| TECHNICAL CHARACTERISTICS                | TR-A/V/VMT   |
|--|--|
| Power supply                             | <ul style="list-style-type: none"> <li>• 24 VDC nominal</li> <li>• 18-30 VDC for 2-wire version (see Figure 1 for the maximum load)</li> <li>• 24-35 VDC for 3-wire version</li> </ul>   |
| External connections                     | <ul style="list-style-type: none"> <li>• Terminal strip for connection to a PLC/DCS (2- or 3-core screened cable, max. cross-section 2.5mm<sup>2</sup>)</li> <li>• Terminal strip for connection to a transducer (2- or 2-core screened cable, max. cross-section 2.5mm<sup>2</sup>)</li> <li>• BNC for connection to an analyser</li> </ul> |
| Operating temperature range              | <ul style="list-style-type: none"> <li>• -35°C ÷ +70°C</li> </ul>  |
| Type of measurement                      | <ul style="list-style-type: none"> <li>• Absolute vibration</li> </ul>   |
| Dynamic performance                      | <ul style="list-style-type: none"> <li>• 5 ÷ 10.000Hz</li> </ul>   |
| Linearity                                | <ul style="list-style-type: none"> <li>• ± 2% over the entire measurement range and within the operating temperature limits indicated</li> </ul>   |
| Insulation                               | <ul style="list-style-type: none"> <li>• ≥10<sup>8</sup> Ω between signals and container</li> </ul>  |
| Possible provisions at the time of order | <ul style="list-style-type: none"> <li>• Transducer type</li> <li>• Magnitude measured</li> <li>• Measurement mode</li> <li>• Measurement range</li> <li>• Filters</li> <li>• Power supply type</li> <li>• Output type</li> </ul>  |

# TR-A/V/VMT

## Maximum load



## Dimensions



## ORDER INFORMATION

TR -  A /  B /  C /  D /  E /  F /  G /  H

### A: TRANSDUCER TYPE

|      |  |
|------|--|
| A    | accelerometer - 100 mV/g (TA-18/S)     |
| V    | velocimeter - 21.2 mV/mm/s (T1-40)     |
| VMT  | velomitor - 4 mV/mm/s (TV-22)          |
| VMTH | velomitor - 20 mV/mm/s (TV-32)         |
| S    | special (specify type and sensitivity) |

### B: MAGNITUDE MEASURED

|   |   |
|---|---|
| 0 | displacement (only for TR-V and TR-VMT) |
| 1 | speed                                   |
| 2 | acceleration (only for TR-A)            |

### C: MEASUREMENT MODE

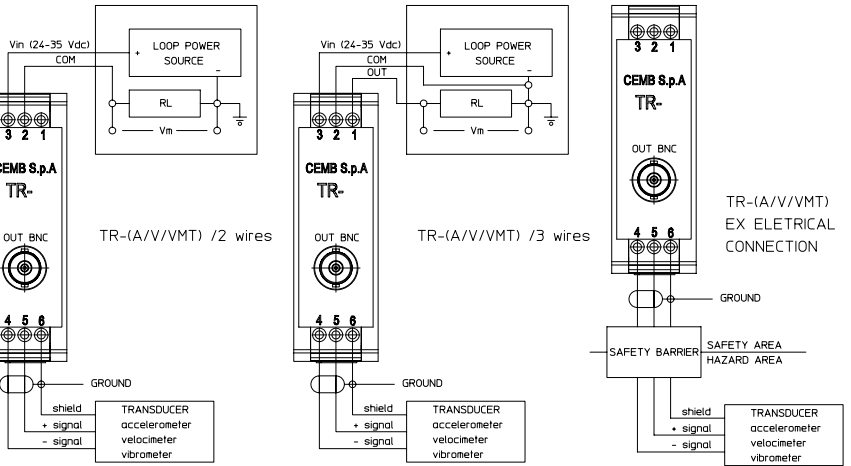
|   |           |
|---|-----------|
| 0 | RMS       |
| 1 | peak      |
| 2 | peak-peak |

### D: MEASUREMENT RANGE

|   |             |   |                         |
|---|-------------|---|-------------------------|
| 0 | 0 ÷ 100 μm  | 6 | 0 ÷ 1 g                 |
| 1 | 0 ÷ 200 μm  | 7 | 0 ÷ 5 g                 |
| 2 | 0 ÷ 500 μm  | 8 | 0 ÷ 10 g                |
| 3 | 0 ÷ 10 mm/s | 9 | 0 ÷ 20 g                |
| 4 | 0 ÷ 20 mm/s | S | special (to be defined) |
| 5 | 0 ÷ 50 mm/s |   |                         |

### E: HIGH-PASS FILTER

|   |                |   |                         |
|---|----------------|---|-------------------------|
| 0 | without filter | 4 | 50 Hz                   |
| 1 | 5 Hz           | 5 | 100 Hz                  |
| 2 | 10 Hz          | 6 | 1000 Hz                 |
| 3 | 20 Hz          | S | special (to be defined) |



### F: LOW-PASS FILTER

|   |                |   |                         |
|---|----------------|---|-------------------------|
| 0 | without filter | 4 | 5000 Hz                 |
| 1 | 100 Hz         | 5 | 10000 Hz                |
| 2 | 1000 Hz        | S | special (to be defined) |
| 3 | 2500 Hz        |   |                         |

N.B: the low-pass filter frequency must be at least double that of the high-pass filter.

### G: POWER SUPPLY TYPE

|   |                       |
|---|-----------------------|
| 2 | 2-wire (current loop) |
| 3 | 3-wire                |

### H: OUTPUT TYPE

|   |                               |
|---|-------------------------------|
| 0 | 4 - 20 mA                     |
| 2 | 0 - 10 VDC (only for 3 wires) |

All the data and features mentioned in this catalogue are purely for information and do not constitute any commitment on the part of our company, which reserves the right to make any and all alterations it may consider suitable without notice.