

VELOCITY TRANSDUCER

T1-40/BF T1-40/VO



The T1-40 transducer measures absolute vibration of any rotating machine support. It supplies a voltage proportional to the vibration speed directly interfaceable with a device that can process the signal (TR-V, TRAL-V, TM1, TDSP).

The T1-40 electrodynamic transducer consists of a suspended plate coil immersed in the magnetic field of a permanent magnet. It is fastened at the point to be tested and generates a signal proportional to the vibration speed. It is used to monitor pumps, fans, motors and compressors and is available in aluminium or stainless steel complete with MIL standard connector for electrical connection.

The transducer is certified SIL2 for functional safety.



TECHNICAL CHARACTERISTICS

Sensitivity	<ul style="list-style-type: none"> ■ 21.2 mV/mm/s
Composition	<ul style="list-style-type: none"> ■ body in anodised aluminium or AISI 316L stainless steel
External connections	<ul style="list-style-type: none"> ■ 5 or 7 pin MIL standard connector
Operating temperature range	<ul style="list-style-type: none"> ■ -40° C ÷ 100° C Standard ■ -40° C +170° C HT version ■ IP65
Type of measurement	<ul style="list-style-type: none"> ■ seismic (absolute vibration)
Measurement direction	<ul style="list-style-type: none"> ■ T1-40/BF horizontal ■ T1-40/VO vertical
Measurement range	<ul style="list-style-type: none"> ■ ± 1 mm
Dynamic range	<ul style="list-style-type: none"> ■ T1-40/BF 3 - 2000 Hz ■ T1-40/VO 10 - 2000 Hz
Resonance frequency	<ul style="list-style-type: none"> ■ T1-40/BF 4,5 Hz ■ T1-40/VO 10 Hz
Transverse sensitivity	<ul style="list-style-type: none"> ■ < 3%
Output impedance	<ul style="list-style-type: none"> ■ 1K Ω a 25°C
Retaining screw	<ul style="list-style-type: none"> ■ M8 X 1,25
Weight	<ul style="list-style-type: none"> ■ ~ 300 gr

T1-40/BF T1-40/VO

A B C D E
T1-40/□/□/0/□/□

A: MEASUREMENT DIRECTION

BF horizontal
VO vertical

B: TEMPERATURE RANGE

00 -40°C ÷ +100°C
HT -40°C ÷ +170°C (not available for T1-40/BF)

C: CERTIFICATION

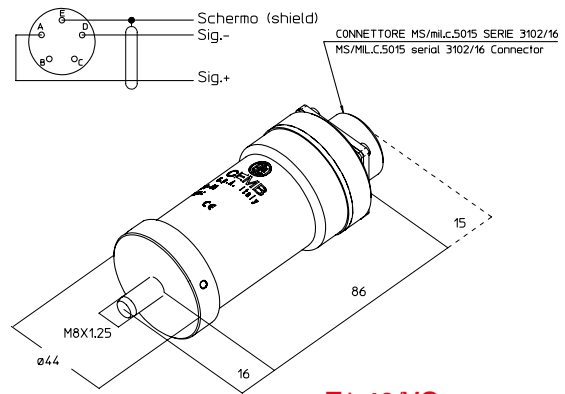
0 NONE

D: CASING

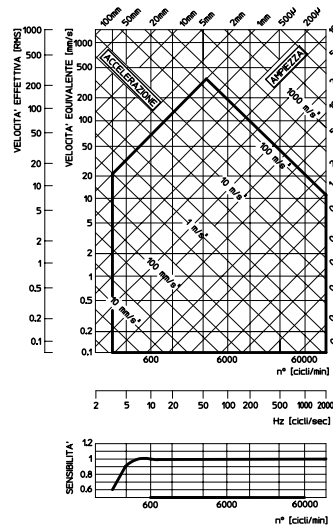
0 ALUMINIUM
1 STAINLESS STEEL (mandatory for zone 0)

E: FIXED CONNECTOR

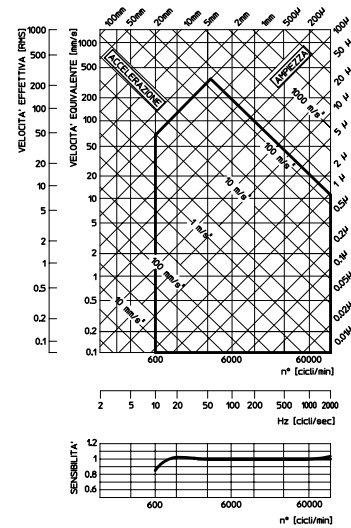
0 ALUMINIUM
1 PLASTIC (mandatory for zone 0)
2 7 CONTACTS



T1-40/BF



T1-40/VO



CABLES AND OPTIONAL ACCESSORIES

CABLES:



SHIELDED CABLE 2X1 STANDARD 53756-P
CBL-T1-40 / S / 5 / XX (length in meters)



SHIELDED CABLE ARMORED IN ETFE 87SEB5827
CBL-T1-40 / E / 5 / XX (length in meters)



SHIELDED CABLE 2X1 WITH METAL JACKET COVERED BY PVC 99025-P
CBL-T1-40 / A / 5 / XX (length in meters)

CONNECTORS:

5 PINS STRAIGHT (standard) 597053126

5 PINS 90° 597053128

5 PINS PLASTIC CASE (mandatory for zone 0) 597053127

7 PINS STRAIGHT 597073116

7 PINS 90° 597073118


OTHER:

PLASTIC TAG 040STR000

STAINLESS STEEL TAG 980710835



CEMB S.p.A.
Via Risorgimento, 9
23826 MANDELLO DEL LARIO (LC) Italy
www.cemb.com

 **Vibration analysis division:**
phone +39 0341 706111
fax +39 0341 706299
e-mail: stm@cemb.com

All the data and features mentioned in this catalogue are purely for information and do not constitute any commitment on the part of our company, which reserves the right to make any and all alterations it may consider suitable without notice.